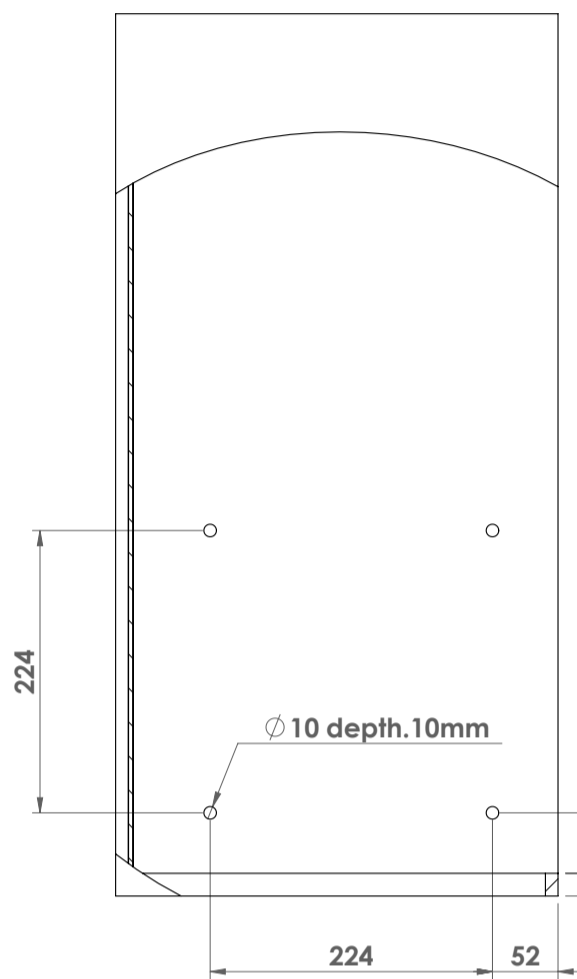


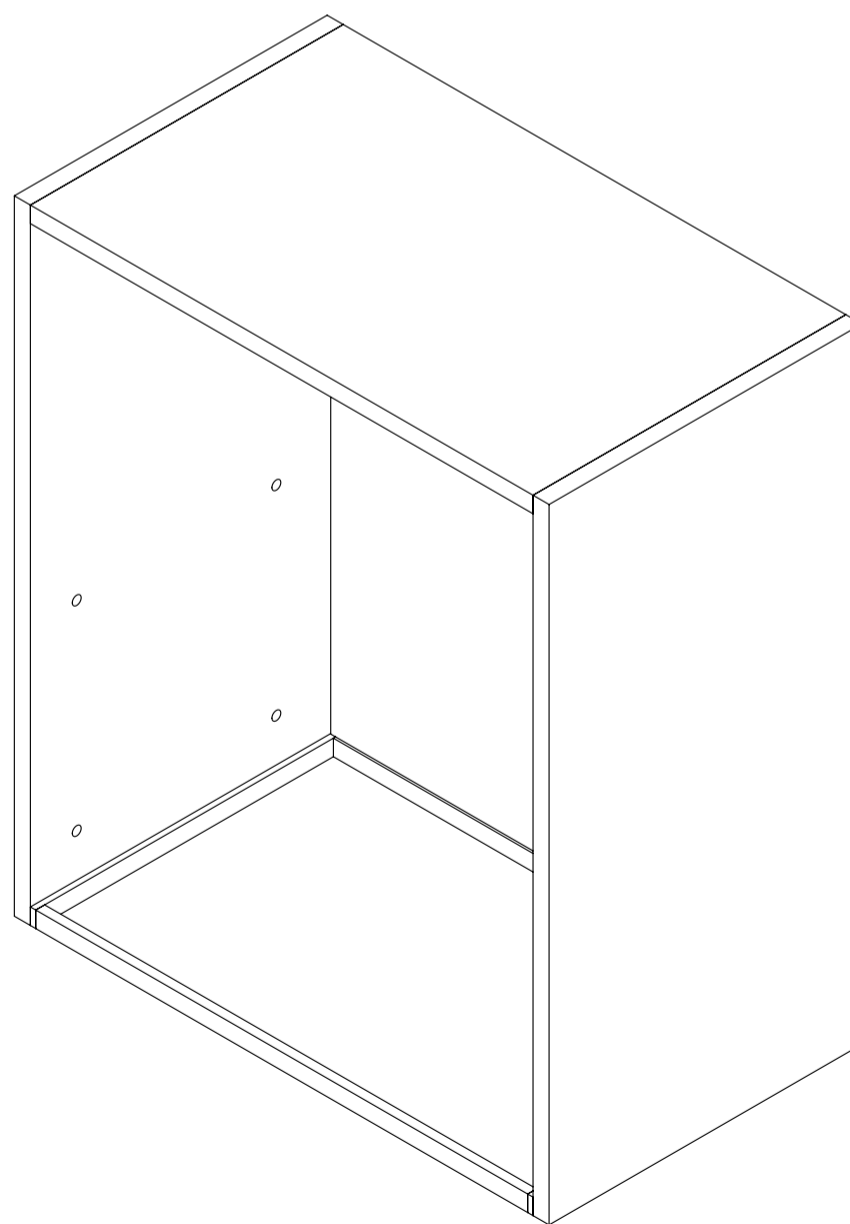
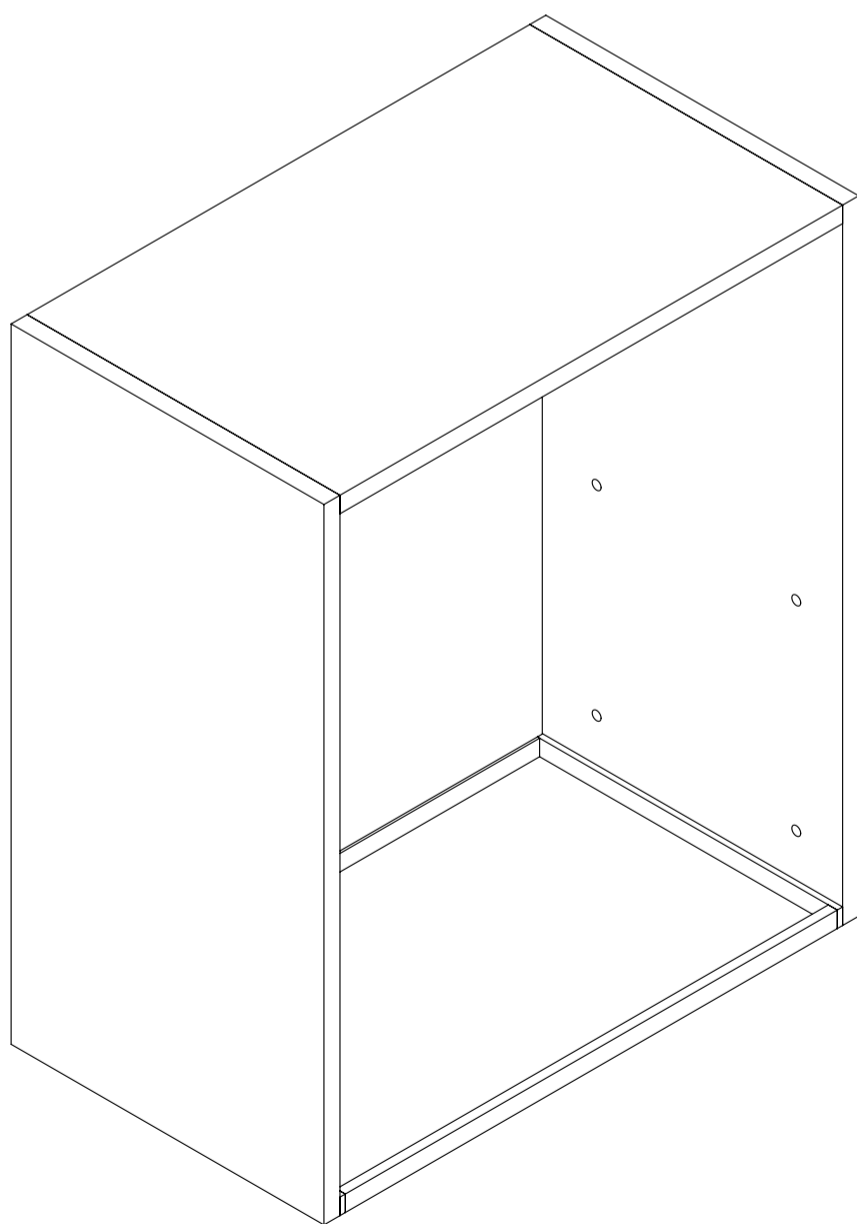
ASSEMBLY INSTRUCTION INOXMATIC



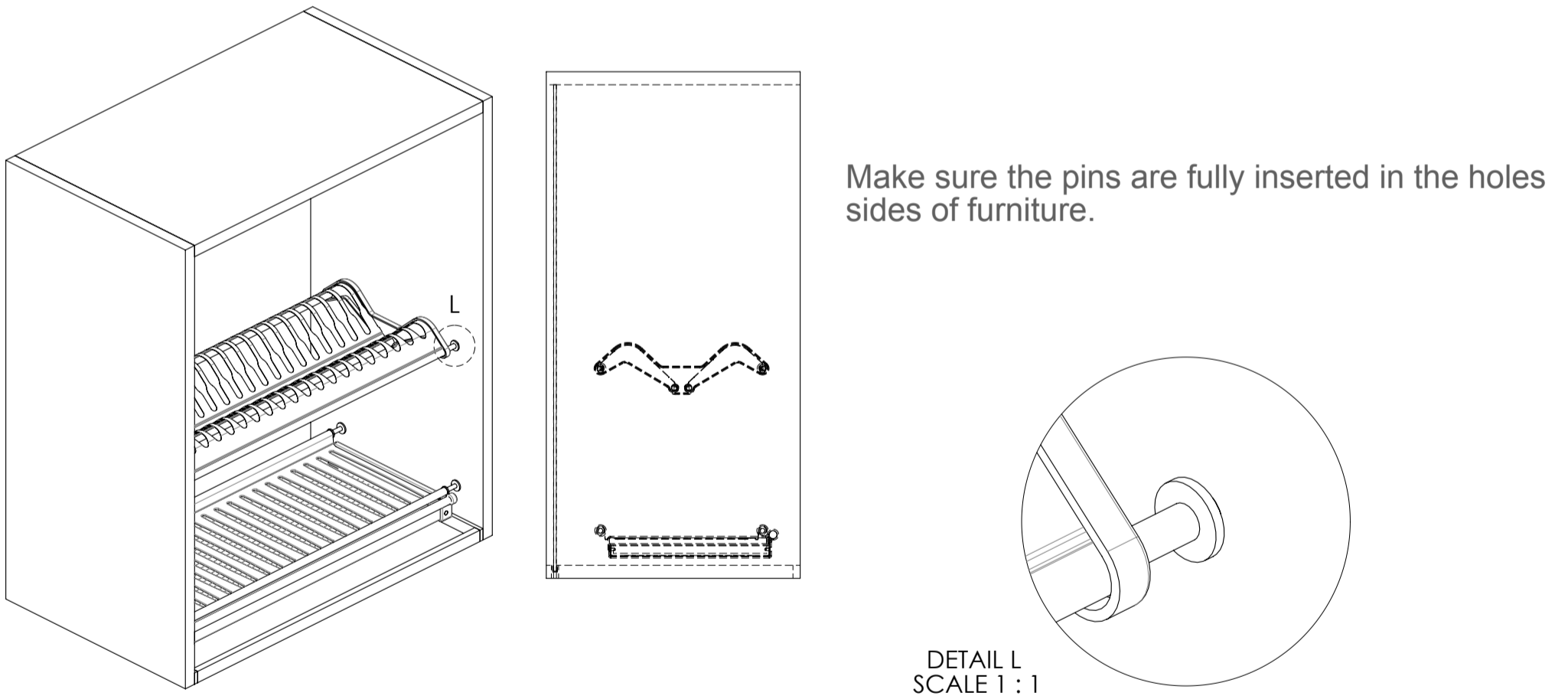
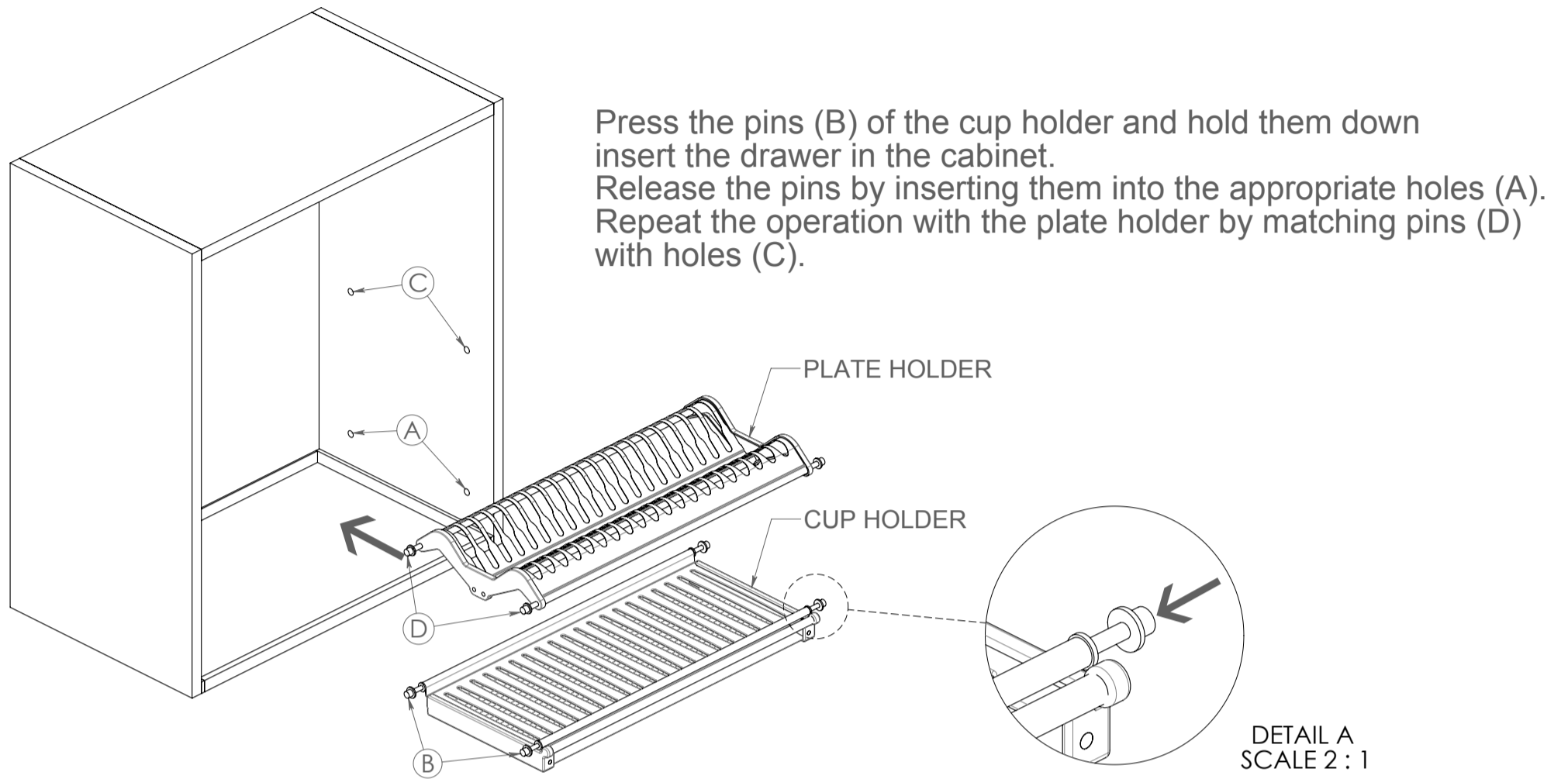
Drill sides as shown in the drawing here to the side a 9.5mm tip. The holes must have a depth of 10mm.

minimum size to be added to the frame dimension to ensure the extraction of tray. Also check that there are no interference with the hinges of the furniture.

frame dimension



ASSEMBLY INSTRUCTION INOXMATIC



1. For proper maintenance, it is recommended that:

- Wash the product frequently with soap and water and dry with a soft cloth.
- Use an anti-lime treatment to remove any deposits of limestone. Then rinse thoroughly with water.
- Avoid contact with hydrochloric acid fumes coming from, for example, floor washing.
- Avoid direct use on stainless steel of chlorine-containing detergents.

2. For correct use of the tray:

- Be sure to level with a level that drains it and the bowl is flat.
- Empty the water from the jar after each use and dry.
- Avoid stagnating water in the collecting tray to avoid the formation of limestone, deposits, molds.

3. Plastic casings and plastic holders can be washed separately in the dishwasher at a temperature maximum of 50 ° C.